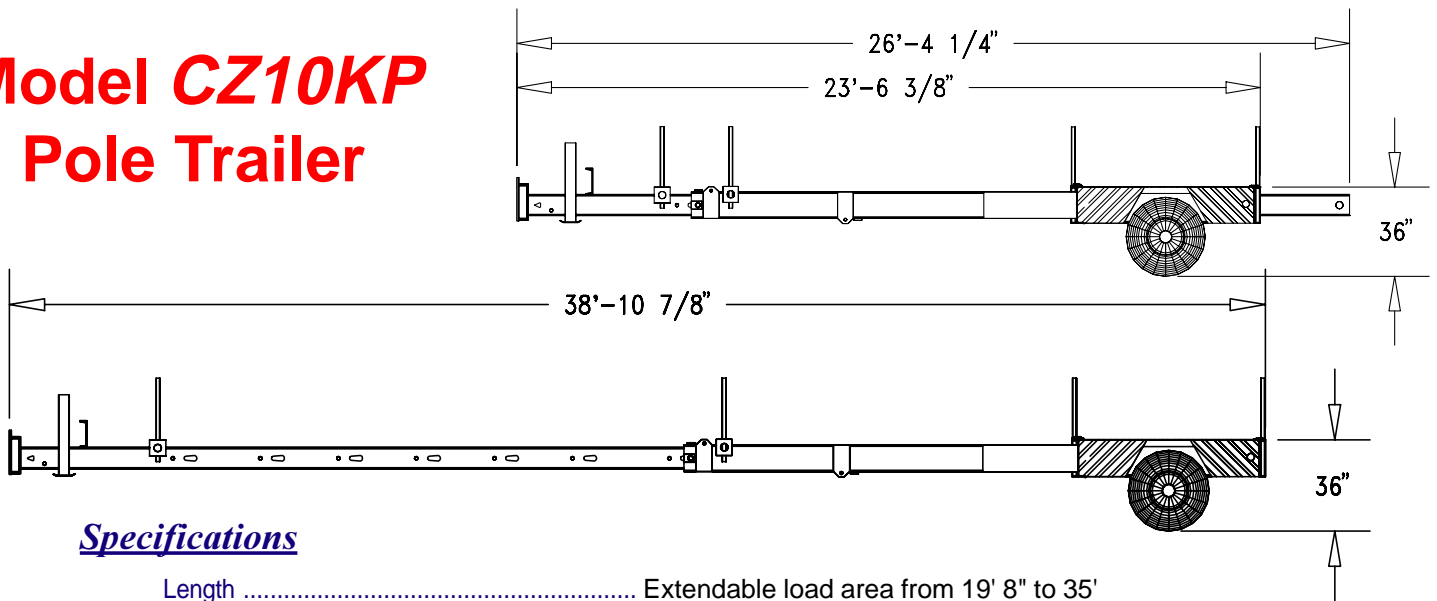


Model CZ10KP Pole Trailer



Specifications

Length	Extendable load area from 19' 8" to 35' (Other configurations available)
Width	6' 6"
Running Gear	One 10,000 lb. dual wheel axle with oil-seal hubs
Brakes	12¼" electric with self-charging break-a-way system
Landing Gear	12,000# drop leg jack
Wheels	16.5" 8 hole disc
Tires	9.50 x 16.5 10-ply rating
Tongue	8" x 1/4" and 10" x 1/4" square tube, telescopes on rollers
Frame	14" WF beam and 10" channel
Coupling System	2½" adjustable pintle eye
Lights	Sealed beam with waterproof wiring in conduit
GVWR	13,800 lbs. at 55 mph
Empty Weight	3,854 lbs.
Payload	Approximately 10,000 lbs.

Options

Raised bolsters for sliding stanchions
Water-tight storage boxes
Portable light bar

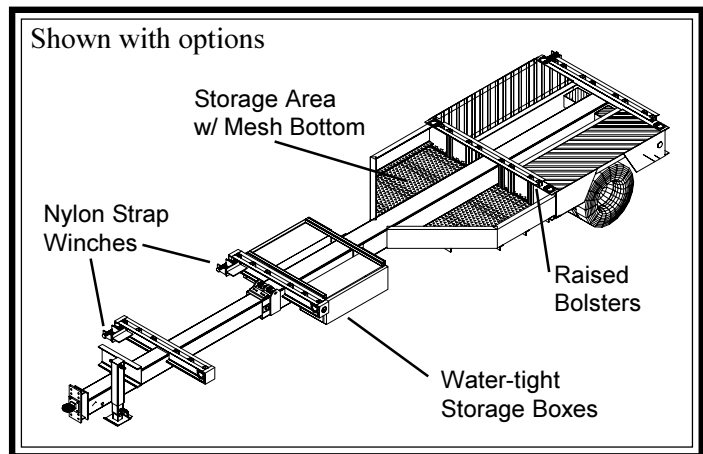
Built-in strap winches
Extended storage area
Various other options

12,000 lb and 15,000 lb axles

APPROXIMATE POLE CARRYING CAPACITY

30'	class 6	14 poles
35'	class 6	11 poles
40'	class 6	11 poles
40'	class 5	8 poles
45'	class 6	8 poles
45'	class 5	7 poles
50'	class 4	5 poles
50'	class 3	4 poles
55'	class 4	4 poles
55'	class 3	3 poles
60'	class 4	3 poles
60'	class 3	3 poles

(New penta treated poles)



MANUFACTURED BY:
CZ ENGINEERING, INC
HCR 60, BOX 296
DIXON, MISSOURI 65459
(573) 759-2144 FAX (573) 759-2147
www.cze.com